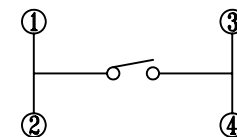
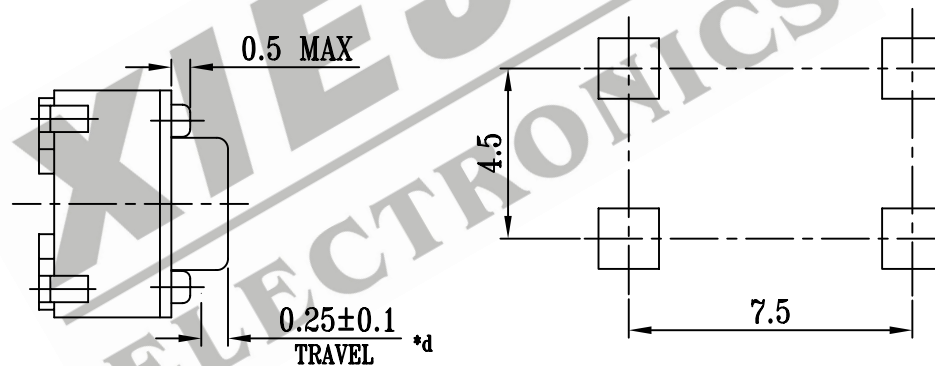
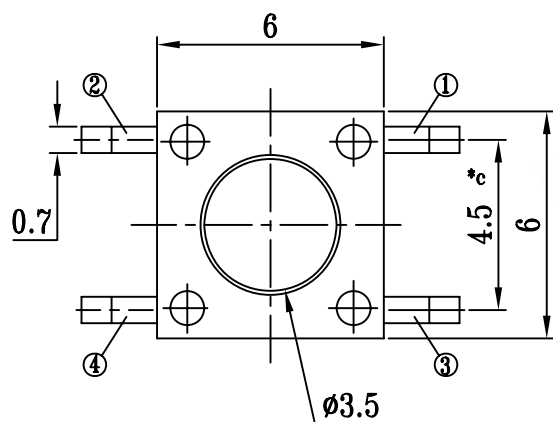
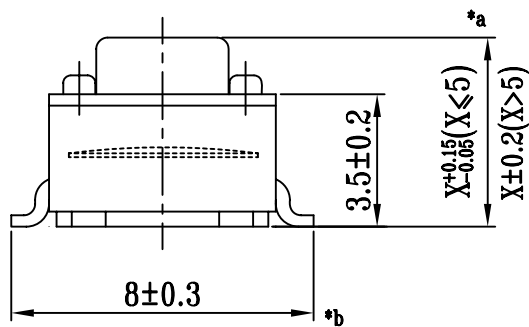


CAD FILE:



SCHEMATIC



P.C.B LAYOUT

OPERATING FORCE	CODE
100gf	T
130gf	V
160gf	X
170gf	W
190gf	Y
250gf	Z

TD-06XF	12.5
TD-06XE	9.5
TD-06XD	8.0
TD-06XC	7.3
TD-06XB	7.0
TD-06XA	5.0
TD-06XG	4.3
MODEL NO.	X

注:带"*"表示关键尺寸(4个)

NO.	PARTS	MATERIALS	Q'TY	FINISH	TOLERANCE UNLESS SPECIFIED	SHENZHEN XIEJIA ELECTRONICS CO.,LTD.				
8					WITHIN: 1.5±0.1mm OVER: 1.5±0.2mm	ISSUE	DATE	DESCRIPTIONS OF REVISION		APPD.
7						TITLE : TACT SWITCH				
6						MODEL: TD-06XG				
5					UNIT : mm					
4	KNOB	NYLON 46	1	BLACK	SCALE: 1 : 1					
3	COVER	ZINC PLATE	1	Ni PLATED	DWN.		ZHOUYU	2003-7-5		
2	CONTACT	PBS	1	Ag CLAD	CHK'D		FANGYING	2003-7-5		
1	CASE	NYLON 46	1	BLACK	APPD.		KANGXINAN	2003-7-5		
ALL MATERIALS MUST BE COMPLIANT TO ROHS										